



COMMERCIAL VEHICLE AUCTIONS LTD
THE UK'S MOST ESTABLISHED COMMERCIAL VEHICLE AUCTIONEERS

Carr Hill Industrial Estate
Doncaster
DN4 8DE

01302 732600 | cva.noreply@cva-auctions.co.uk

VEHICLE INSPECTION REPORT

PK67VFU

Daf CF 450

Inspection

Serious Damage? No

Vehicle

VAT Plus VAT
V5 Present

Details

Reg. date	09/11/2017	VIN	XLRTGM4100G181979	Gearbox	AUTOMATIC
Year	2017	Body Style	Tractor Unit	Axle Combi	6x2
Mileage	1,071,884 Km Warranted	Service history	Yes	Steering Combi	Mid-Lift
Fuel Type	Diesel	MOT Due	31/05/2026	Rear Suspension	Air
Colour	RED	Cab Type	SLEEPER CAB		

Tyres

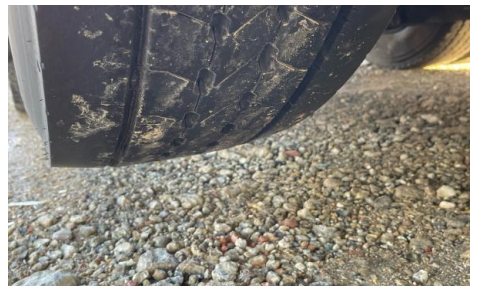
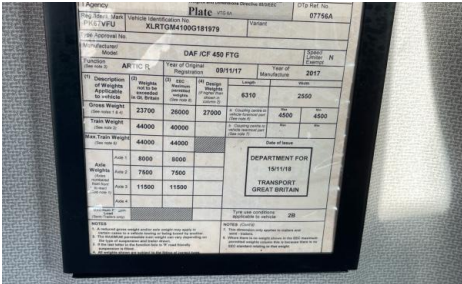
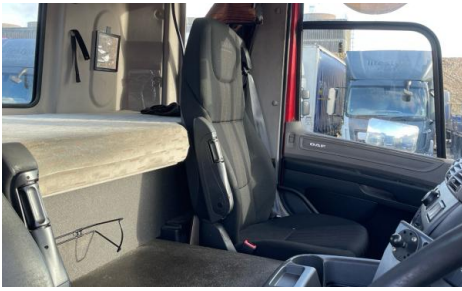
NSF	NSI1	NSI2	NSI3	NSI4
OSF	OSI1	OSI2	OSI3	OSI4
Spare	NSO1	NSO2	NSO3	NSO4
	OSO1	OSO2	OSO3	OSO4

Features

- Air conditioning

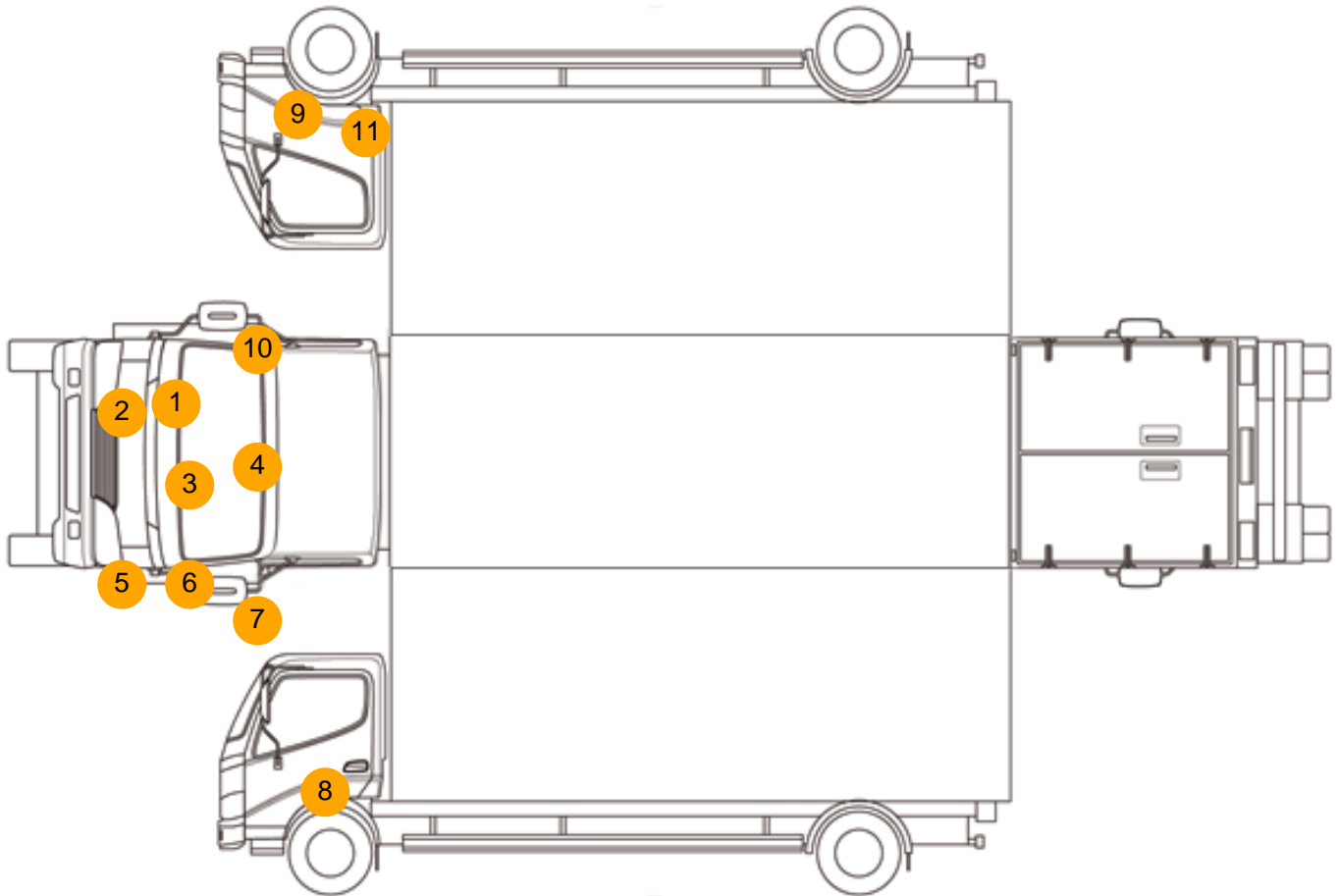
Photos







Condition Check



Damage Photos



1: Wing of
Chipped
Multiple Chips



2: Bumper Front
Scratched
25 to 100mm Thru Paint



3: Bonnet
Chipped
Multiple Chips

4: Screen Front
Chipped
Over 10mm



5: Bumper Front
Scratched
25 to 100mm Thru Paint

6: Wing nsf
Cracked
Replace



7: Door Mirror Assy nsf
Broken
Replace

8: Door nsf
Dented
Over 30mm



9: Wing Front Arch Extension os
Scratched (Painted)
Over 25mm Thru Paint

10: Door Mirror Assy osf
Scuffed (Unpainted)
Over 100mm



11: Door osf
Scratched
Over 25mm Thru Paint

12: In Car Entertainment
Broken
Replace



13: Switches And Controls
Broken
Replace

Interior

Carpet Condition	Average	Upholstery Condition	Average
Seat Condition	Average	Odour	-
Engine Runs	OK	Gearbox 1st and Reverse Test	OK
Brakes	OK	Clutch Slip Test from Static	OK
Parking Brake	OK	Gearbox Static Gear Selection (engine running)	OK
		No Excessive Smoking	OK
EML light illuminated	OK	Oil warning light illuminated	OK
Airbag light illuminated	OK	DPF light illuminated	OK
ABS light illuminated	OK	Service indicator light illuminated	OK