



COMMERCIAL VEHICLE AUCTIONS LTD
THE UK'S MOST ESTABLISHED COMMERCIAL VEHICLE AUCTIONEERS

Carr Hill Industrial Estate
Doncaster
DN4 8DE

01302 732600 | cva.noreply@cva-auctions.co.uk

VEHICLE INSPECTION REPORT

LB68AGV

Ford Transit 350 2.0 TDCI 130PS

Inspection

Serious Damage? No

Vehicle

VAT Plus VAT

V5 Present

Details

Reg. date	14/01/2019	Colour	WHITE	CAP Average	£6,350.00
Year	2019	VIN	WF0XXTTGXJR42840	CAP Below	£4,950.00
Mileage	59,355 Miles Warranted	Body Style	Panel Van L2	Gearbox	MANUAL
Fuel Type	Diesel	MOT Due	09/12/2026	Gears	6
GVW	3500kg	CAP Clean	£7,350.00		

AD-BLUE, SWING LIFT IN REAR

Tyres

NSF

NSR

OSF

OSR

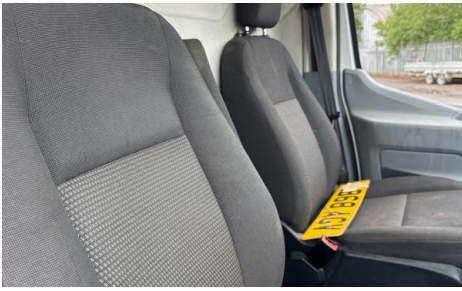
Spare

Features

- Rear parking sensor
- Front electric windows
- Central locking

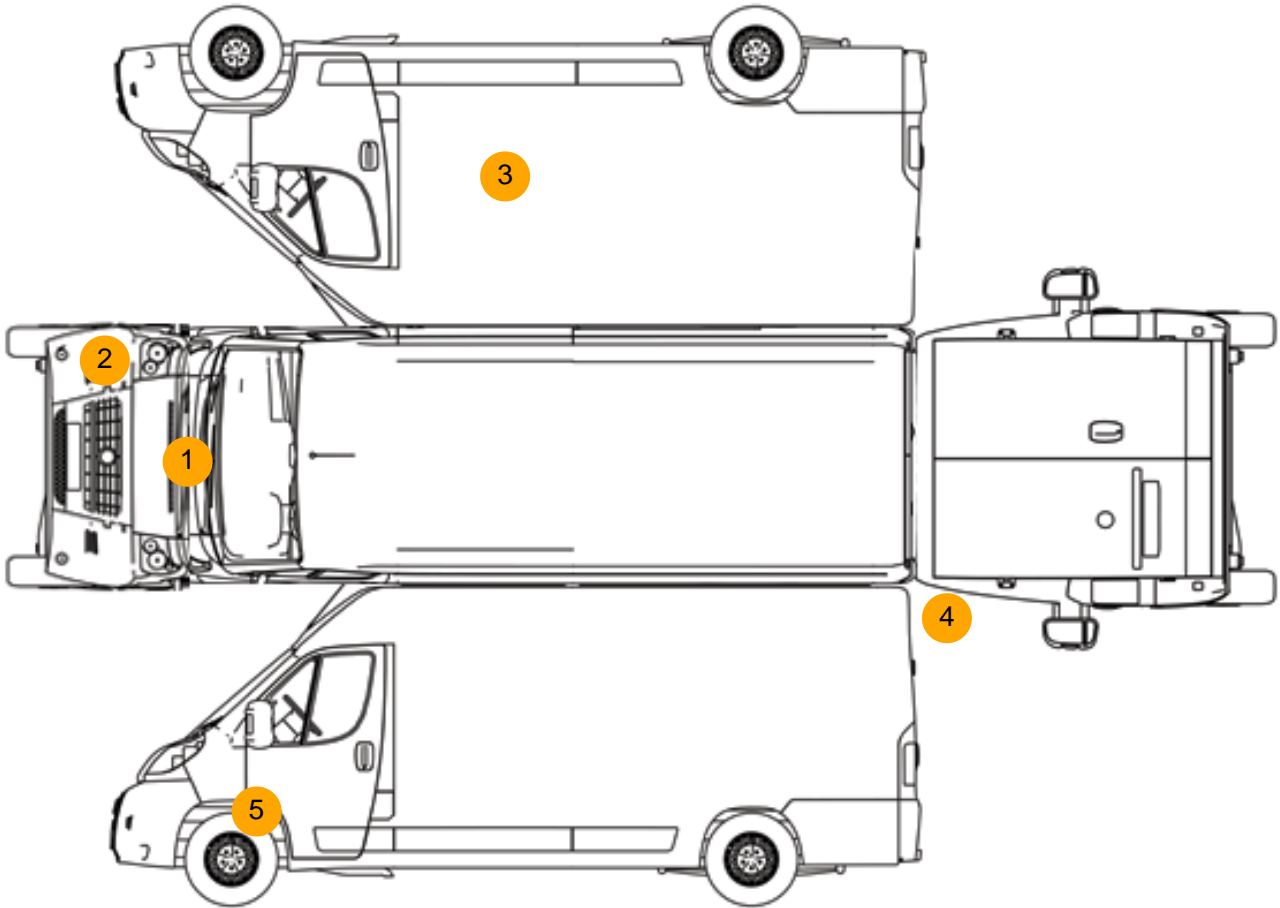
Photos







Condition Check



Damage Photos



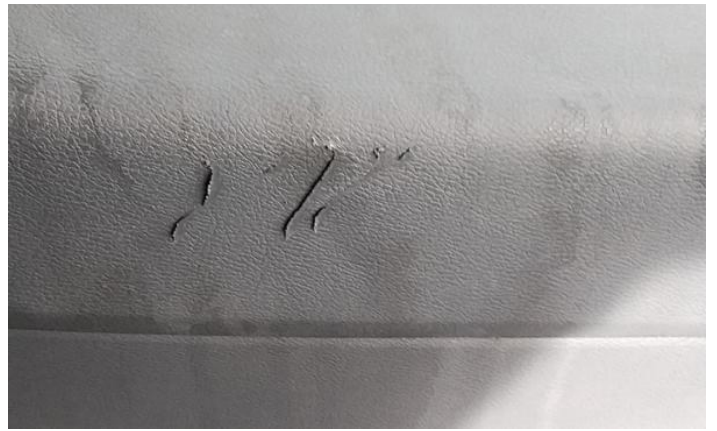
1: Bonnet
Chipped
Multiple Chips

2: Bumper Front Moulding
Scuffed (Unpainted)
UpTo 100mm



3: Panel Front
Dented
Between 10mm + 30mm

4: D Post ns
Dented
With Paint Damage



5: Wing nsf
Dented
With Paint Damage

6: Door Pad nsf
Scuffed
Over 25mm

Interior

Carpet Condition
Seat Condition

Average
Average

Upholstery Condition
Odour

Poor
No

EML light illuminated	OK	Oil warning light illuminated	OK
Airbag light illuminated	OK	DPF light illuminated	OK
ABS light illuminated	OK	Service indicator light illuminated	OK